

SLP01SS

Elektronic LED Power Supply

350mA 0,5-4VDC

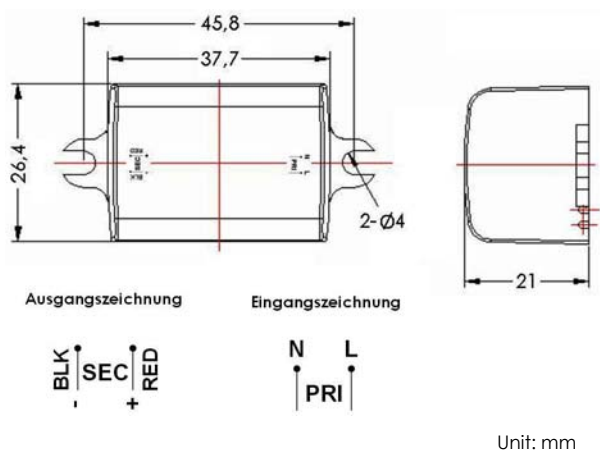
IP65



I. Technical Data

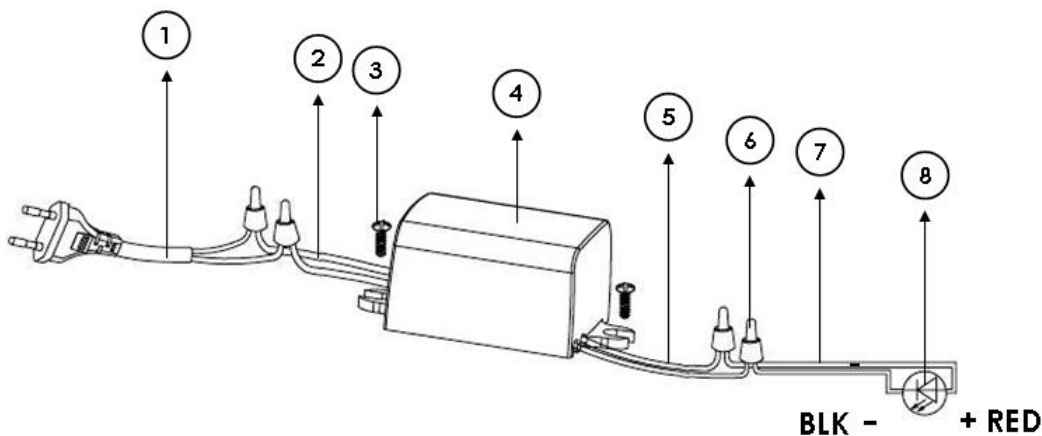
Allgemein	
Input voltage:	100...240V AC
Input current:	0,04A
Frequency:	50/60Hz
Output current:	DC 350mA constant
Output voltage:	0,5V...4VDC
Power factor:	>0,5
Efficiency:	≥70% (@ full load)
Reliability (MTBF):	≥50000 hours (@ 25°C and full load)
Ambient temperature:	-20°C - 50°C
Surface temperature:	Max. 80°C
Dimmable:	No
Sicherheit und Schutz	
Protection class:	IP65 (casting resin for Innere Schaltung and back side)
Over temperature protection:	integrated, automatic resettable after temperature descending
Short circuit protection:	integrated, automatic resettable after temperature descending
Isolation voltage:	4200V AC / 5mA / 1min
Normen und Approval	
Safety Norm:	EN61347-2-13:2006, EN61347-1:2001, EN60598-1:2004+A1:2006
LVD Norm:	Low voltage Directive 2006/95/EC
EMC Norm:	EN55015:2006, EN61547:1995+A1:2000 EN61000-3-2:2006, EN61000-3-3:1995+A1:2001+A2:2005
Approval:	CE, Intertek ELT SEMKO
RoHS compatible:	Yes

II. Constructio



Dimension	
Overall (LxBxH):	See drawing
Fixture:	See drawing
Output drawing	
+:	Positive output
-:	Negative output
BLK:	Black cabel
RED:	Red cabel
Input drawing	
L:	Live line
N:	Null line

III. Installation



For the Installation please refer the drahing on the input and output side of housing.. The output cabel can be allowed max. 2,5m to extend..



DANGER! Don't work with connecting electric power! The components in this device may have deadly voltage und high stored energy! All installation works must be performed with specialized personnel!

Components	
1*	Extended input cable with plug
2	Input cable (short)
3*	Fastening screw
4	Housing
5	Output cable (short, max. 2,5m)
6*	Cable connector
7*	Extended output cable
8*	1...3 x1W LED (350mA)

* not inclusive in the product packing