

Dimmer

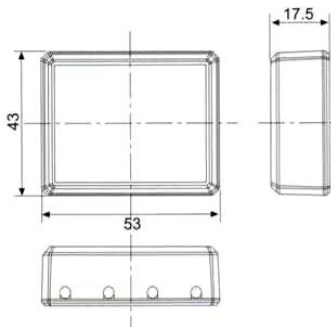
SED200IM4

4-Step

Leading-edge control



Model	SED200IM4
Rated Loading	25-200W
Input Voltage	220V-240VAC/50Hz
Dimmer	leading-edge control with SCR 4 steps dimming
Application	For incandescent lamp & halogen lamp using
Mounting	Interior of light fitting
Dimension LxWxH (mm)	53x43x17.5
LVD (safety) Conformity	EN61058
EMC Suppression	EN55015 EN61547 EN61000-3-2 EN61000-3-3



Sunrise Power Transformers GmbH
Horner Weg 65, D20535, Hamburg

Tel. : +49-40-21983678
Fax : +49-40-21983816

Email: info@sunrise-trafo.de
Homepage: www.sunrise-trafo.de